

Mounting kit JxCer MK

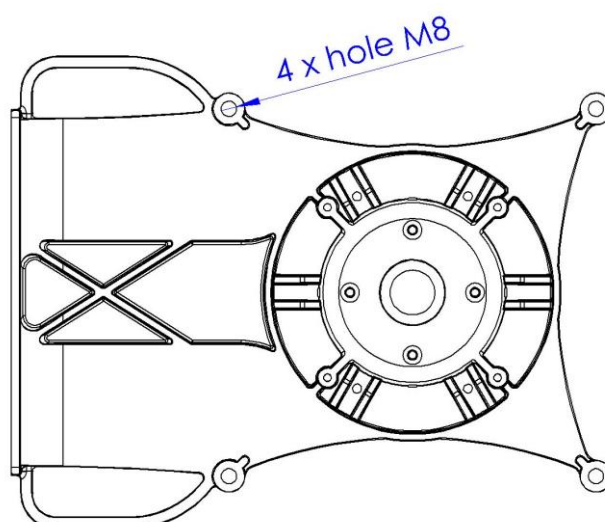
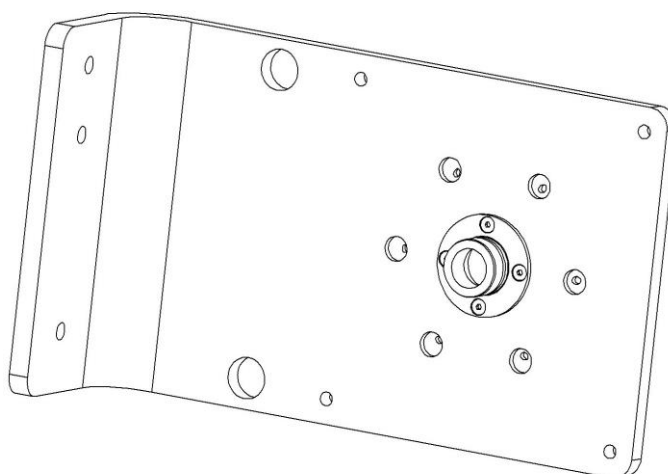
Mounting kit JxCer MK is a kit for mounting of any adaptor JxCer-x-xx to older Jirous antennas. When you would like to use Jirous antenna with Ceragon or Cambium radio and this antenna is not on list of suitable antennas you can use **JxCer MK** and the adaptor JxCer-x-xx (depends on radio type and frequency band).

JxCer MK is for all frequency bands.

Outer diameter of waveguide (on the back of antenna) must be 28 mm, which is the most of production.

The backs of antennas need JxCer MK:

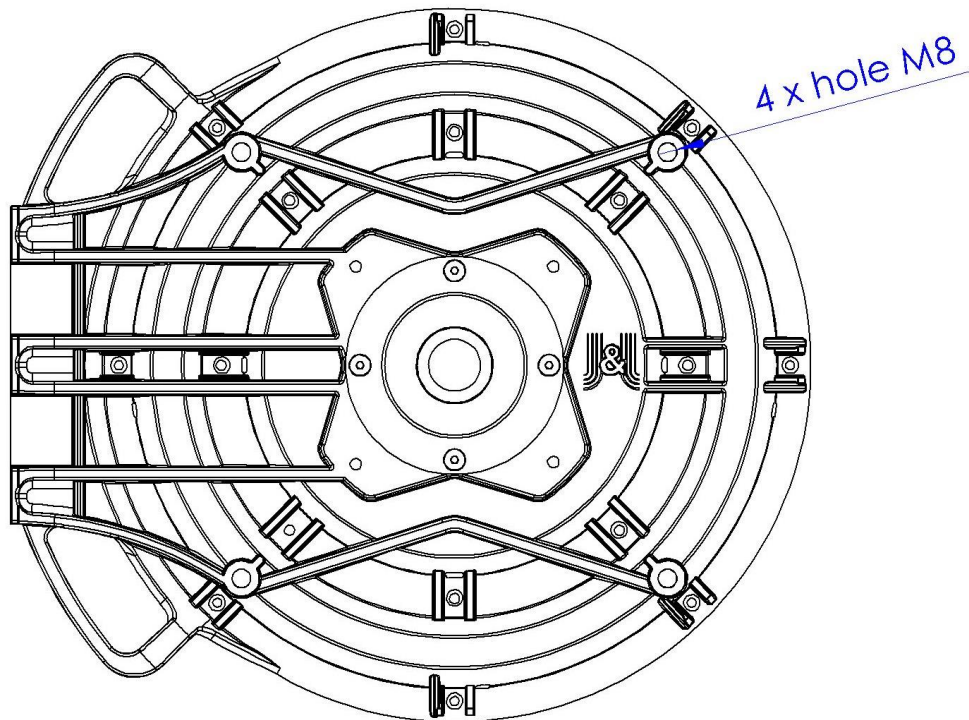
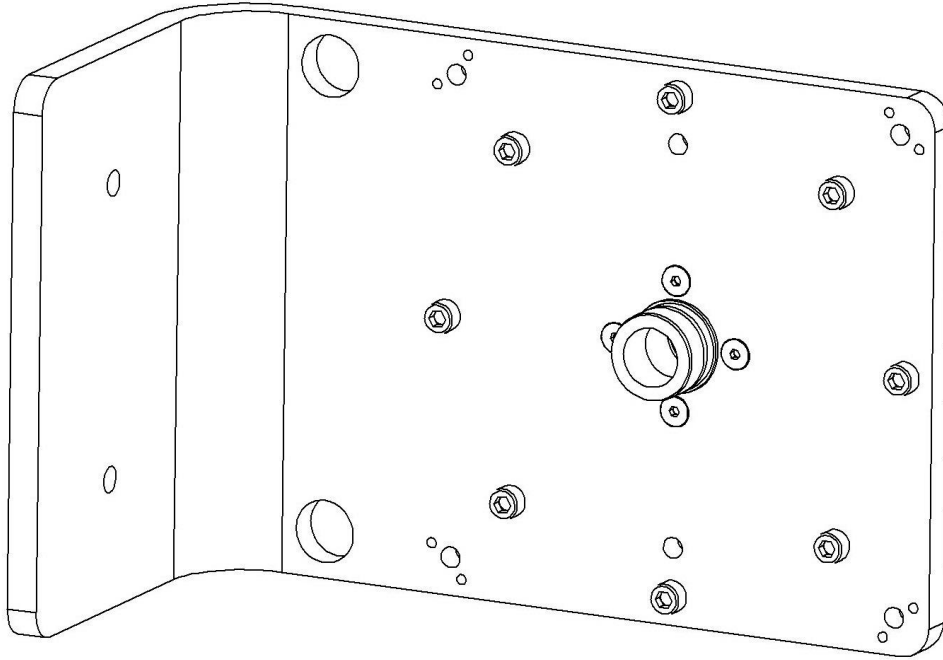
400 mm/ 1 ft antennas





Mounting kit JXCer MK

680 mm/ 2 ft antennas

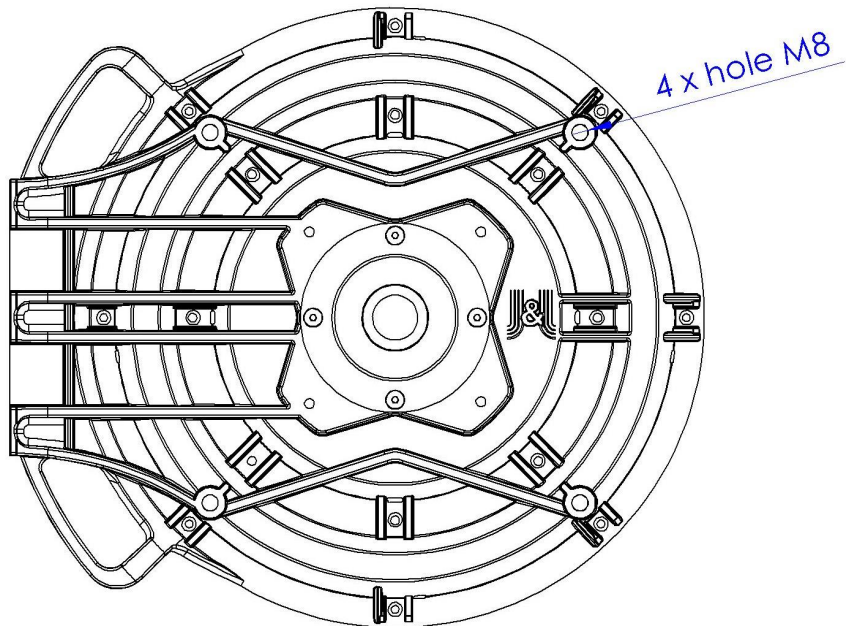
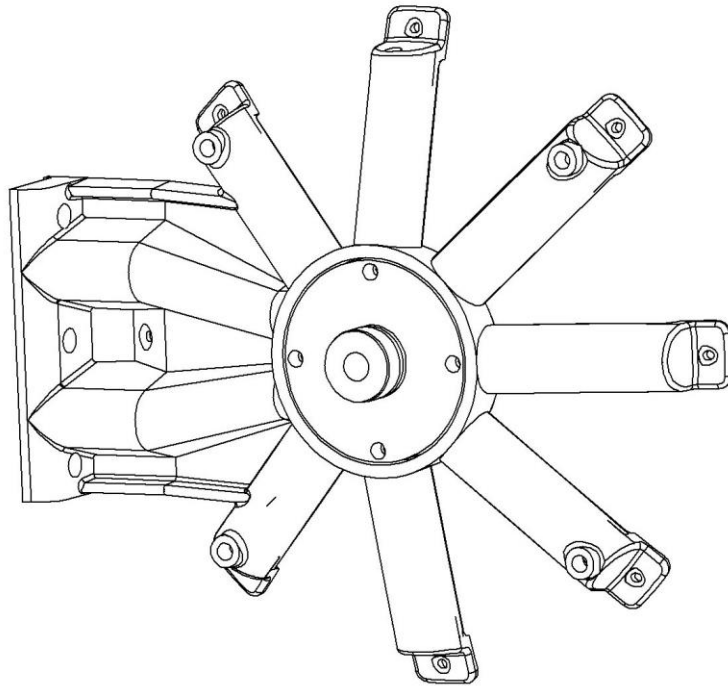




www.jirous.com

Mounting kit JXCer MK

900 mm/ 3 ft antennas





Mounting kit JXCer MK

1200 mm/ 4 ft antennas

