

Adaptor JXCer-S-11

The adaptor is designed for **Jirous antennas** (of the required frequency band) and allows the installation of **Ceragon** and **Cambium** radio units.

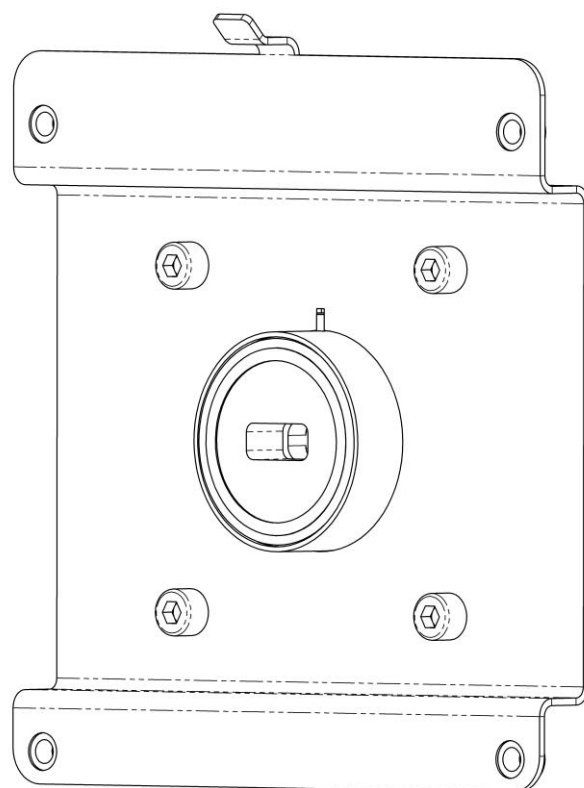
Technical parameters:

Frequency band	11 GHz
Polarization	vertical or horizontal
Insert loss	< 0,1 dB
Waveguide	Rectangular
Material	Aluminum alloy with high corrosion protection Stainless steel
Weight	1 kg (2.2 lbs)
Package size/weight	220x235x50 mm / 1kg (2.2 lbs)

Compatible radio units:

Ceragon: radio units which model name contains the letter **S**, e.g. IP-20S, IP-50S, ...
Ready for mounting radio unit directly.

Cambium: radio units which model name contains the letter **S**, e.g. PTP-820S, PTP-850S, ...
Ready for mounting radio unit directly.



the adaptor

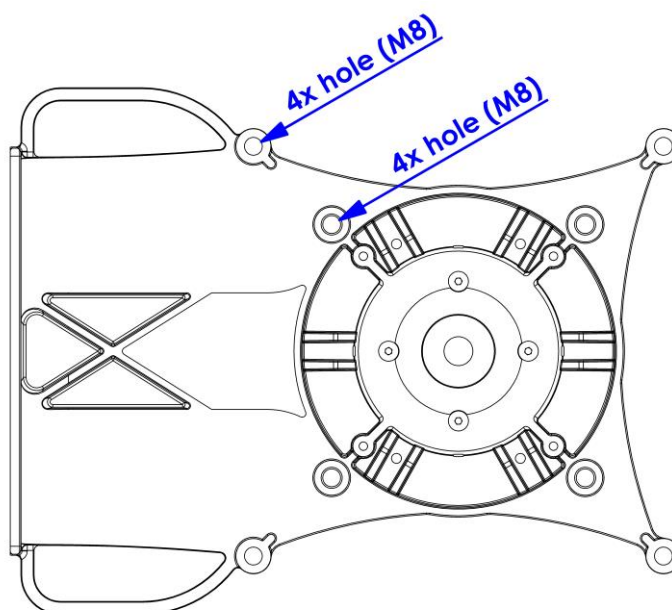
Adaptor JXCer-S-11

Suitable antennas:

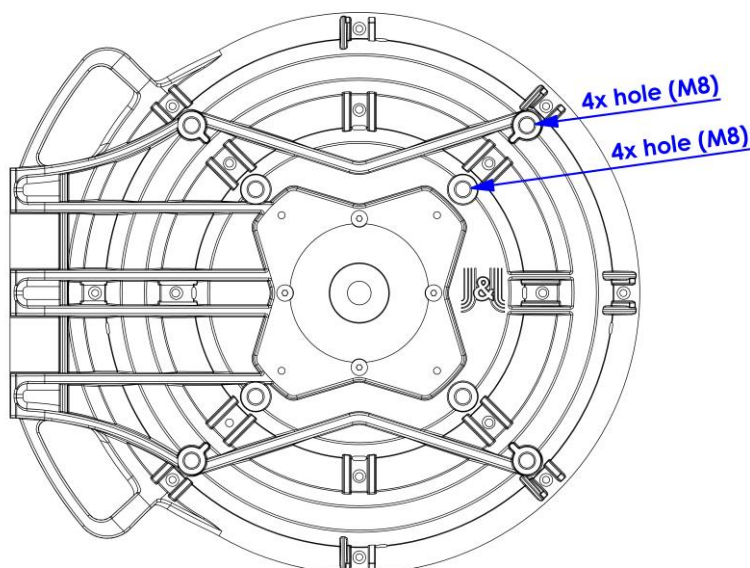
Adaptors require mounting holes M8 at antenna (see pictures below). All Jirous antennas since the year 2022 are compatible.

When you would like to use older Jirous antenna which is not on the list below, please use JXCer MK.

400 mm / 1 ft antennas
with back part:

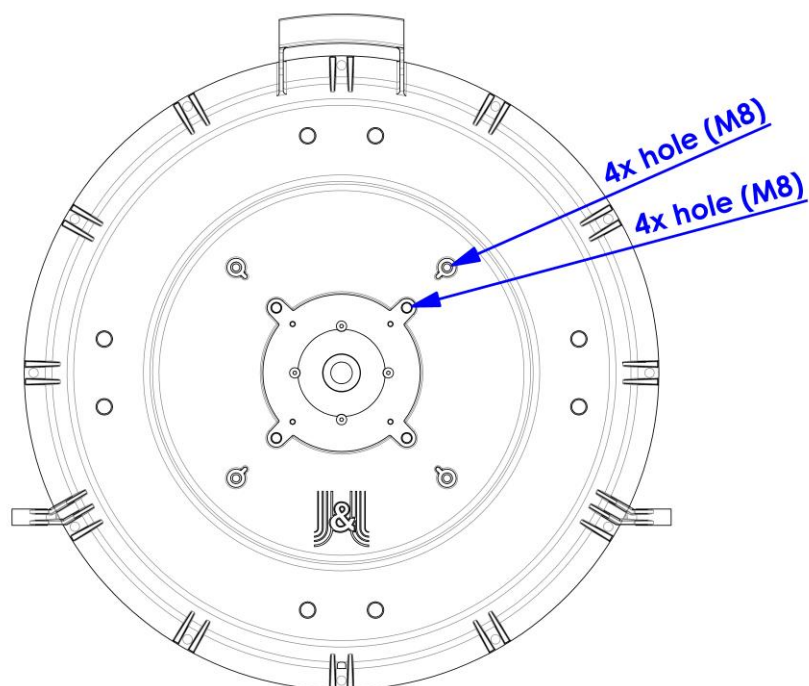


680 and 900 mm / 2 and 3 ft
antennas with back part:



Adaptor JXCer-S-11

1200 mm / 4 ft antennas
with back part:



1800 mm / 6 ft antennas
with back part:

